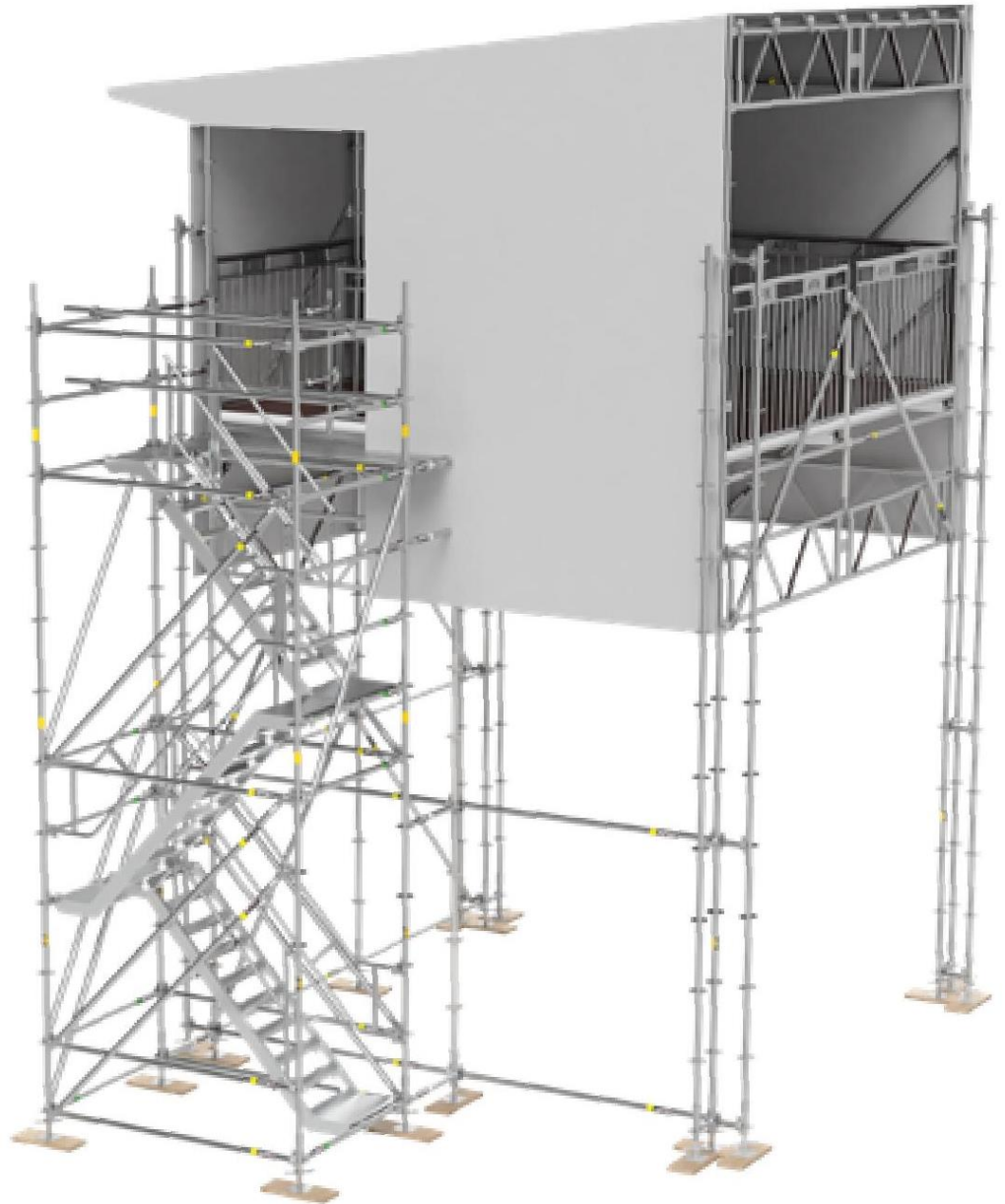


Ring System Staircases

Delta



☎ 0151 678 7997
✉ sales@deltagb.com

www.scaffolding-direct.co.uk | www.tubeclampsdirect.co.uk | www.britishscaffold.com

MODULE 2,07 X 2,57 M

A staircase with a bay size of 2.07 x 2.57 m, contains **extra wide 1,03 m scaffold stairs** that fit 2 people crossing without obstruction.



STAIRCASE WITH EXTRA WIDE STEPS

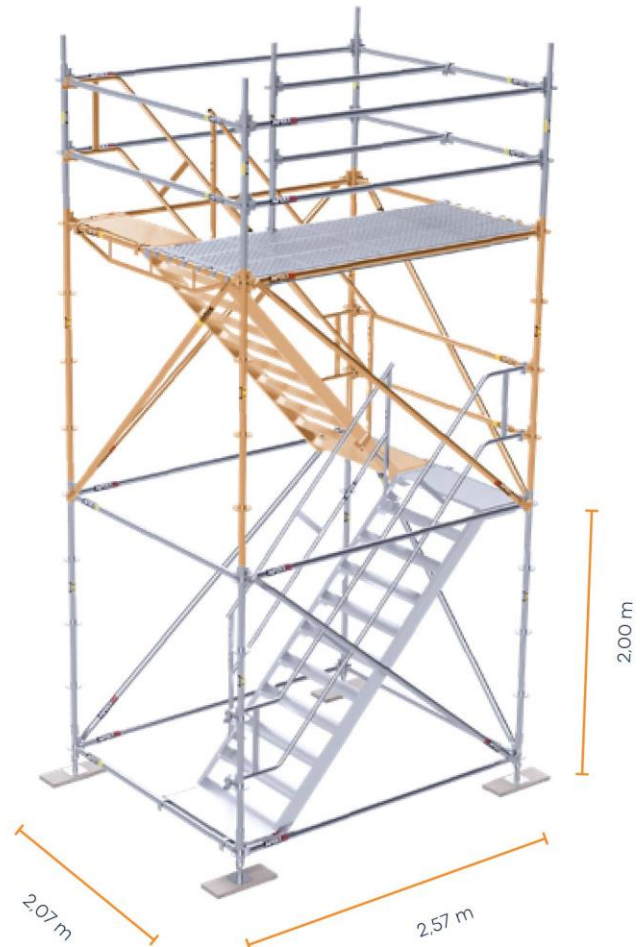
MATERIAL SPECIFICATION FOR STAIR TOWER 2,07 X 2,57 X 4 M

BASE MODULE = 2 M + 1 M GUARDRAIL

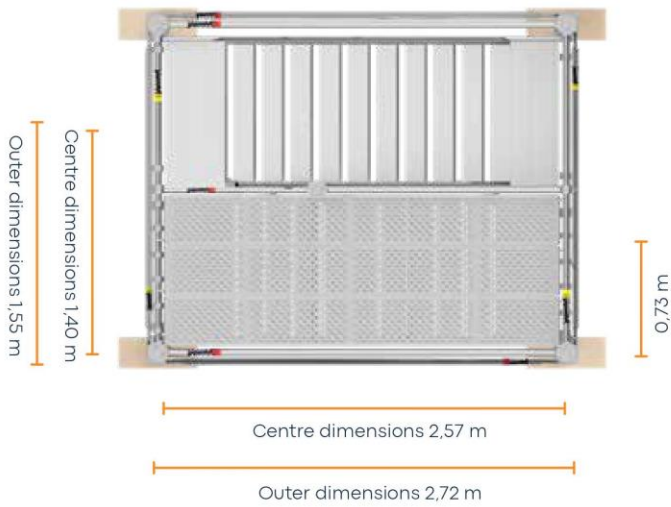
REF.NR.	DESCRIPTION	#
AS0001/060	adjustable baseplate 0,60 m	4
AS0002/000	baseplate	4
AS0003/100	standard with spigot 1 m	4
AS0003/200	standard 2 m	4
AS0006/207	ledger 2,07 m	5
AS0006/257	ledger 2,57 m	6
AS0008/207	bridging ledger 2,07 m	1
AS0010/207	diagonal 2,07 x 2 m	1
AS0010/257	diagonal 2,57 x 2 m	2
AS0029/257	steel deck 2,57 m	3
AS0050/357	alu stair 2,57 x 2,00 x 1,03 m	1
AS0050/520	inner guardrail 2 m height	1
AS0050/300	fixed external guardrail 2,57 m	1
AS0200/105	spigot with half coupler	1
AS0009/157	combi ledger	2
AS0050/400	external railing rotary fixing	4

STOREY MODULE = PER ADDITIONAL 2 M

REF.NR.	DESCRIPTION	#
AS0003/200	standard 2,00 m	4
AS0006/207	ledger 2,07 m	3
AS0006/257	ledger 2,57 m	2
AS0008/140	bridging ledger 2,57 m	1
AS0010/207	diagonal 2,07 x 2 m	2
AS0010/257	diagonal 2,57 x 2 m	2
AS0050/357	alu stairs 2,57 x 2,00 x 1,03 m	1
AS0050/520	inner guardrail 2 m height	1
AS0050/300	fixed external guardrail 2,57 m	1



MODULE 1,40 X 2,57 M



FAST & MODULAR
ASSEMBLY ON
**CONSTRUCTION SITES &
RENOVATION PROJECTS**

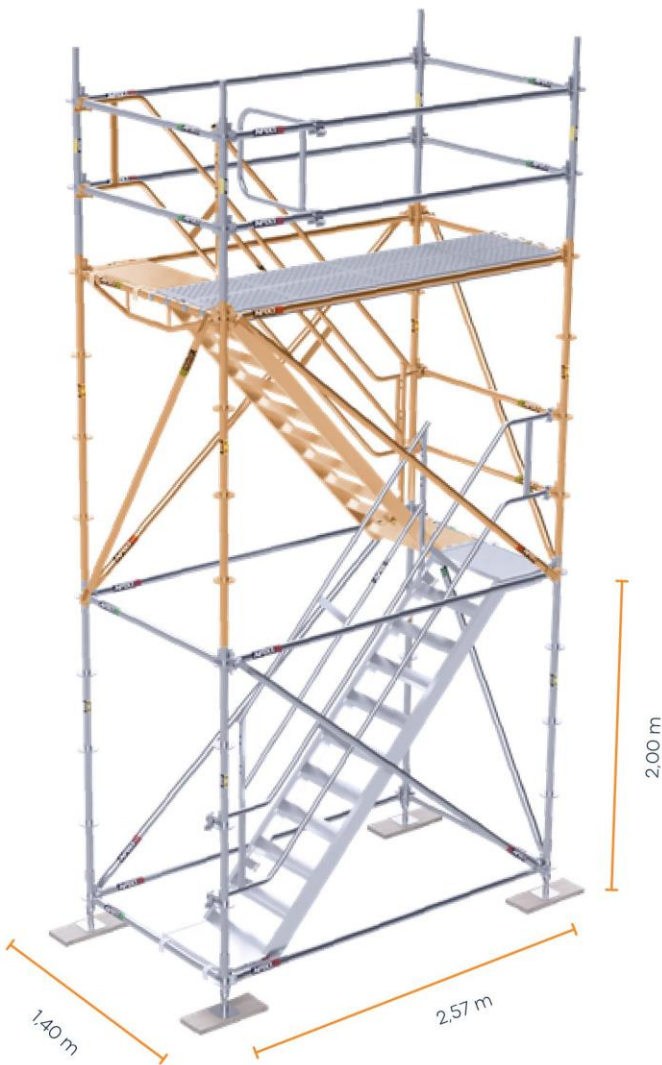
MATERIAL SPECIFICATION FOR STAIR TOWER 1,40 X 2,57 X 4 M

BASE MODULE = 2 M + 1 M GUARDRAIL

REF.NR.	DESCRIPTION	#
AS0001/060	adjustable baseplate 0,60 m	4
AS0002/000	baseplate	4
AS0003/100	standard with spigot 1 m	4
AS0003/200	standard 2 m	4
AS0006/140	ledger 1,40 m	5
AS0006/257	ledger 2,57 m	8
AS0008/140	bridging ledger 1,40 m	1
AS0010/140	diagonal 1,40 x 2 m	1
AS0010/257	diagonal 2,57 x 2 m	2
AS0029/257	steel deck 2,57 m	2
AS0050/257	alu stair 2,57 x 2 m	1
AS0050/520	inner guardrail 2 m height	1
AS0050/300	fixed external guardrail 2,57 m	1
AS0050/600	inner guardrail of the top ladder	1
AS0050/400	external railing rotary fixing	4

STOREY MODULE = PER ADDITIONAL 2 M

REF.NR.	DESCRIPTION	#
AS0003/200	stanard 2,00 m	4
AS0006/140	ledger 1,40 m	3
AS0006/257	ledger 2,57 m	2
AS0008/140	bridging ledger 1,40 m	1
AS0010/140	diagonal 1,40 x 2 m	2
AS0010/257	diagonal 2,57 x 2 m	2
AS0050/257	alu stair 2,57 x 2 m	1
AS0050/520	inner guardrail 2 m height	1
AS0050/300	fixed external guardrail 2,57 m	1



MODULE 1,40 X 2,07 M



MOST
CONVENIENT ON
EVENT PROJECTS

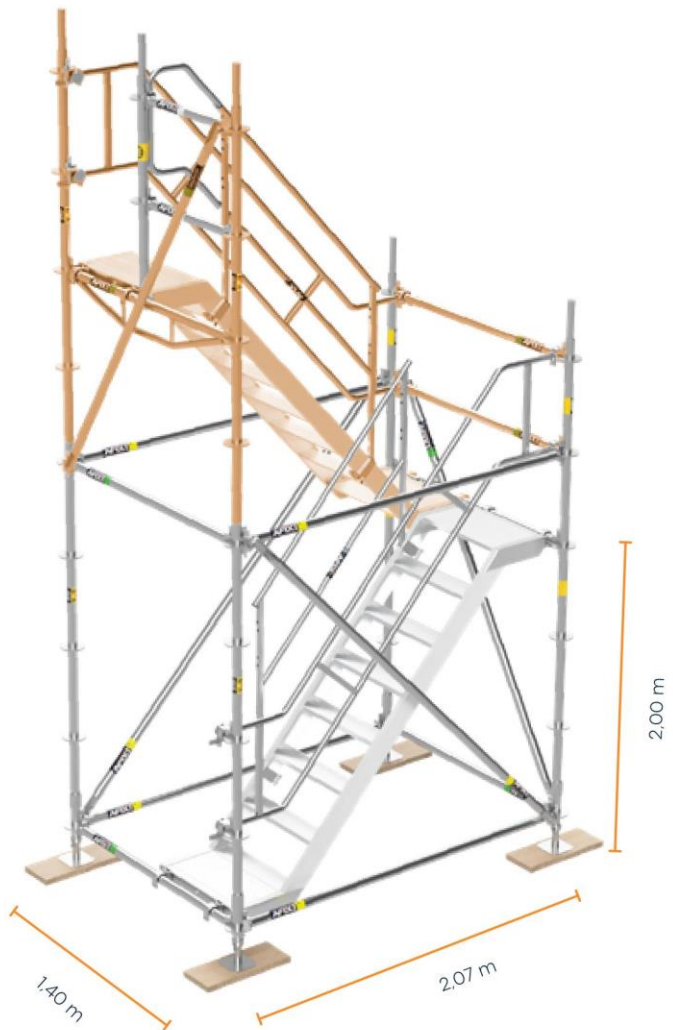
MATERIAL SPECIFICATION FOR STAIR TOWER 1,40 X 2,07 X 4 M

BASE MODULE = 1,5 M + 1,5 M GUARDRAIL

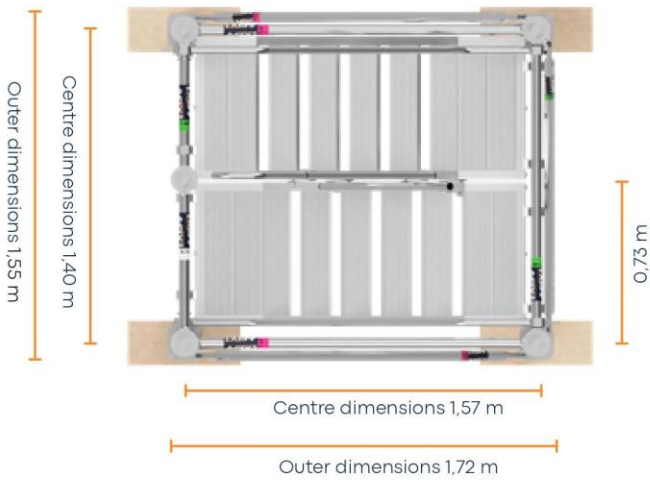
REF.NR.	DESCRIPTION	#
AS0001/060	adjustable baseplate 0,60 m	4
AS0002/000	baseplate	4
AS0003/100	standard with spigot 1 m	3
AS0003/150	standard with spigot 1,5 m	2
AS0003/200	standard with spigot 2 m	2
AS0006/073	ledger 0,73 m	2
AS0006/140	ledger 1,40 m	3
AS0006/207	ledger 2,07 m	4
AS0008/140	bridging ledger 1,40 m	1
AS0010/140	diagonal 1,40 x 2 m	1
AS0010/207	diagonal 2,07 x 2 m	2
AS0050/601	end bracket	1
AS0200/105	spigot with half coupler	1
AS0050/207	alu stair 2,07 x 1,5 m	1
AS0050/515	inner guardrail 1,5 m height	1
AS0050/295	fixed external guardrail 2,07 m	1
AS0050/400	external railing rotary fixing	4

STOREY MODULE = PER ADDITIONAL 1,5 M

REF.NR.	DESCRIPTION	#
AS0003/200	standard 2,00 m	2
AS0006/140	ledger 1,40 m	2
AS0008/140	bridging ledger 1,40 m	1
AS0010/140	diagonal 1,40 x 2 m	1
AS0050/207	alu stair 2,07 x 1,5 m	1
AS0050/515	inner guardrail 1,5 m height	1
AS0050/295	fixed external guardrail 2,07 m	1



MODULE 1,40 X 1,57 M



THE EXTRA SMALL SOLUTION FOR LIFT BOXES & NARROW PASSAGES

MATERIAL SPECIFICATION FOR STAIR TOWER 1,40 X 1,57 X 2 M

BASE MODULE = 1 M + 1 M GUARDRAIL

REF.NR.	DESCRIPTION	#
AS0001/060	adjustable baseplate 0,60 m	4
AS0002/000	baseplate	4
AS0003/100	standard with spigot 1 m	1
AS0003/200	standard 2 m	4
AS0006/073	ledger 0,73 m	2
AS0006/140	ledger 1,40 m	2
AS0006/157	ledger 1,57 m	2
AS0008/140	bridging ledger 1,40 m	1
AS0010/140	diagonal 1,40 x 2 m	1
AS0010/157	diagonal 1,57 x 2 m	2
AS0050/157	alu stair 1,57 x 2 m	1
AS0050/510	inner guardrail 1 m height	1
AS0050/290	fixed external guardrail 1,57 m	1
AS0050/400	external railing rotary fixing	4
AS0200/105	spigot with half coupler	1

STOREY MODULE = PER ADDITIONAL 1 M

REF.NR.	DESCRIPTION	#
AS0003/100	standard with spigot 1 m	2
AS0006/140	ledger 1,40 m	2
AS0006/257	ledger 1,57 m	2
AS0008/140	bridging ledger 1,40 m	1
AS0050/157	alu stair 1,57 x 1 m	1
AS0050/510	inner guardrail 1 m height	1
AS0050/290	fixed external guardrail 1,57 m	1
AS0050/601	end bracket	1

